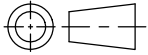
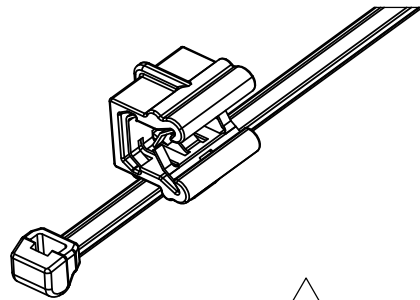
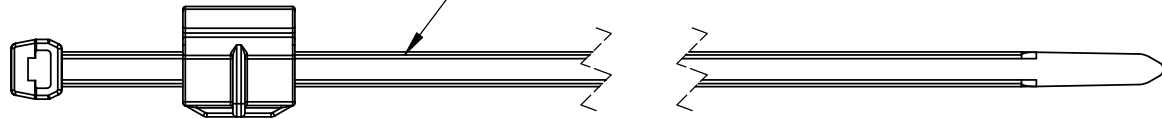


SW2010



Revision level		Revision Record	Changed	Date	Approved	Date
Drawing	Part					
01	-	SEE ECN# 011893	AAC	07/13/2011	AAC	07/13/2011

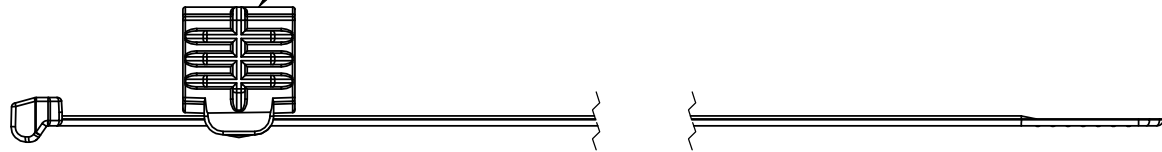
T50ROS  
SEE CHART FOR TIE  
DRAWING AND MATERIAL



01

DELIVERY CONDITION:  
CABLE TIE HEAD COULD BE AT THE LEFT  
OR RIGHT SIDE OF EDGE CLIP

EC24  
SEE CHART FOR MOUNT  
DRAWING AND MATERIAL



Material	SEE CHART
----------	-----------

TYPE	BUNDLE RANGE	CABLE TIE		MOUNT	
		DRAWING	MATERIAL	DRAWING	MATERIAL
T50ROSEC24	5 TO 50	CT10-0737-002CST	PA66HS	04-832-001-CSG	PA66HIRHS

Units millimeters

Dimension without tolerances details to:

.XXXX = ±.0025  
.XXX = ±.013  
.XX = ±.13  
.X = ±.3  
None = ±.8  
∠ = ±0.5°

The copyright of this drawing is reserved by HellermannTyton. It is issued on condition that it is not reproduced, copied, or disclosed to a third party, either wholly or in part, without the consent of HellermannTyton.

Drawn	AAC	05/11/2011	Article/Type-No	T50ROSEC24	Scale	1:1	
Approved	AAC	07/13/2011	Title	T50ROS OUTSIDE SERRATED CABLE TIE WITH EC24 MOUNT	Project Number	PRPNT832-04	
<b>HellermannTyton</b> North America Email: corp@htamericas.com Web: www.hellermann.tyton.com			Drawing-No	04-0832-003-CSU	Production : Phase	Format	AH
					Sheet	1/1	

**Product Number**  
**Cross Reference Record**

Uncontrolled Document

<b>Pre-UNS Number System</b>	<b>(New) UNS Universal Number System</b>	<b>Customer Part Number</b>
Product Number  <b>T50ROSEC24</b>	Product Number  <b>156-00878</b>	Product Number  <b>-</b>
Reference Drawing Number: <b>04-0832-003-CSU</b>		

Issued By:	(New) UNS Product Number	Issue Date:
<b>HellermannTyton</b>	<b>Universal Numbering System</b>	<b>November 30, 2011</b>