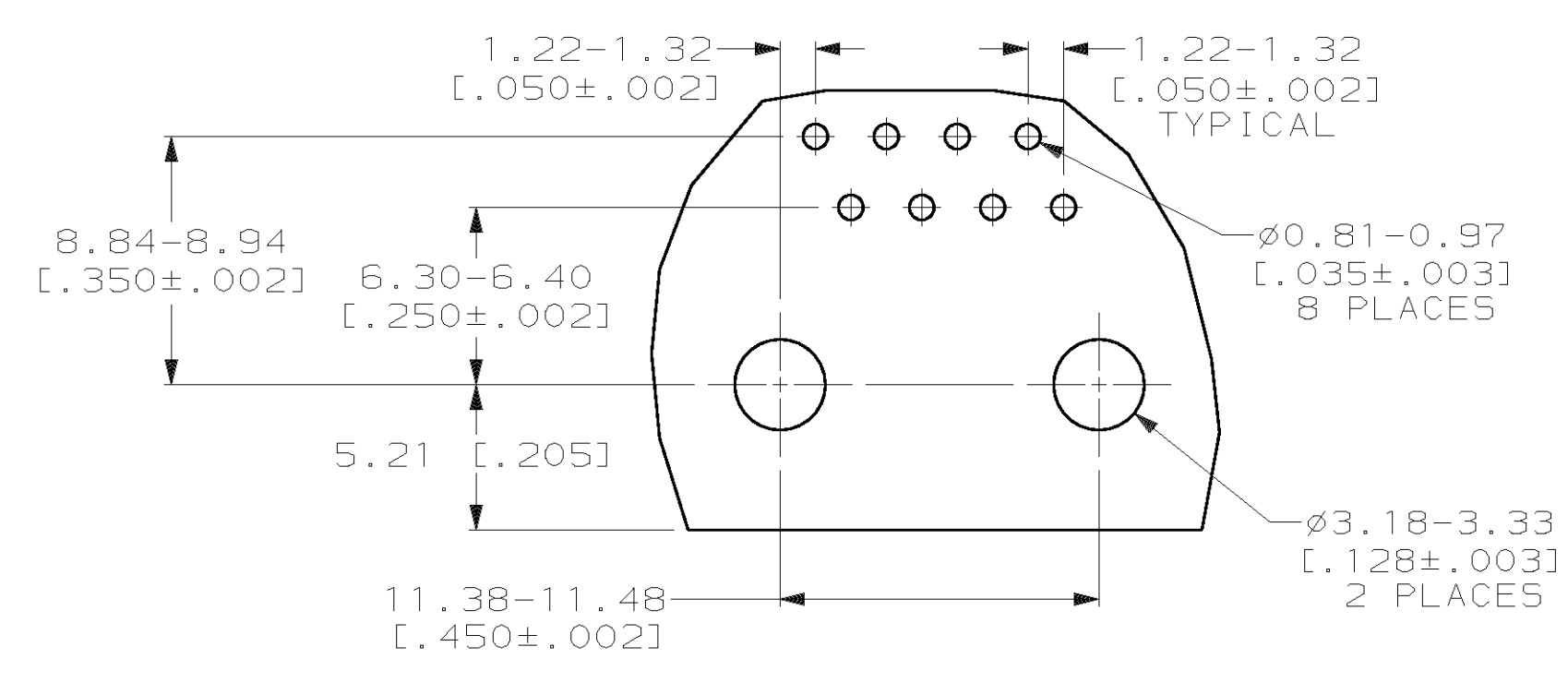
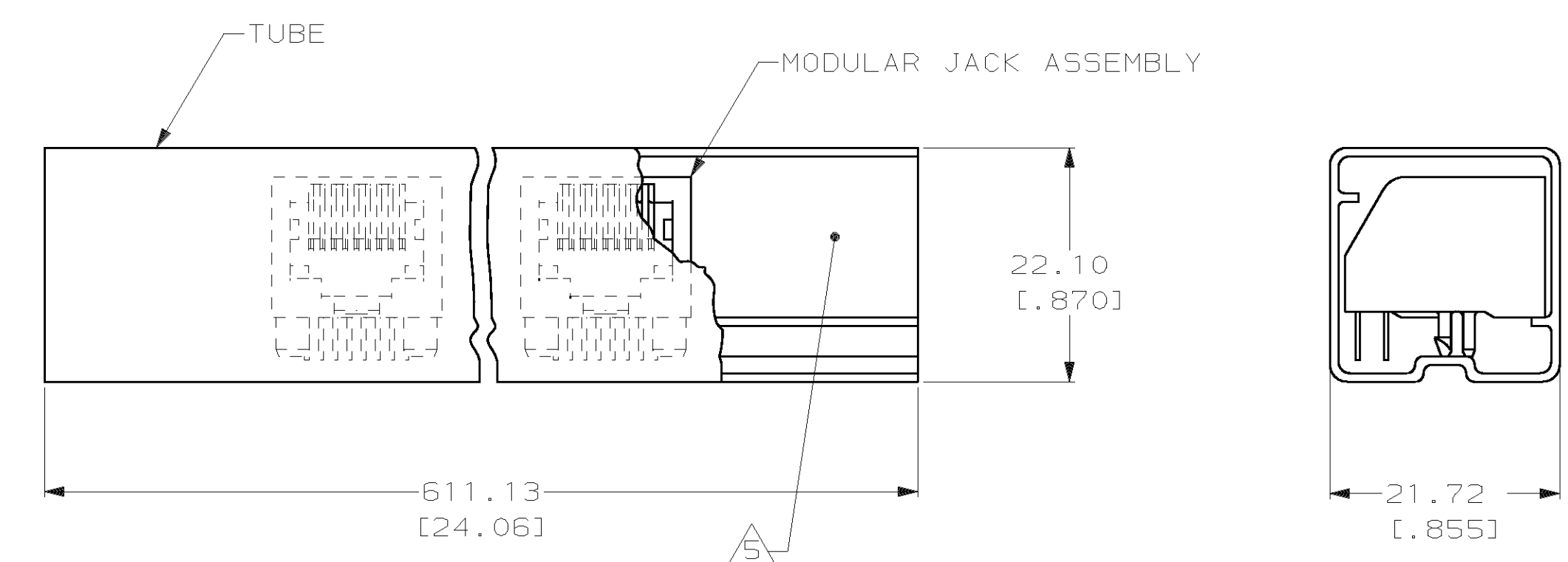
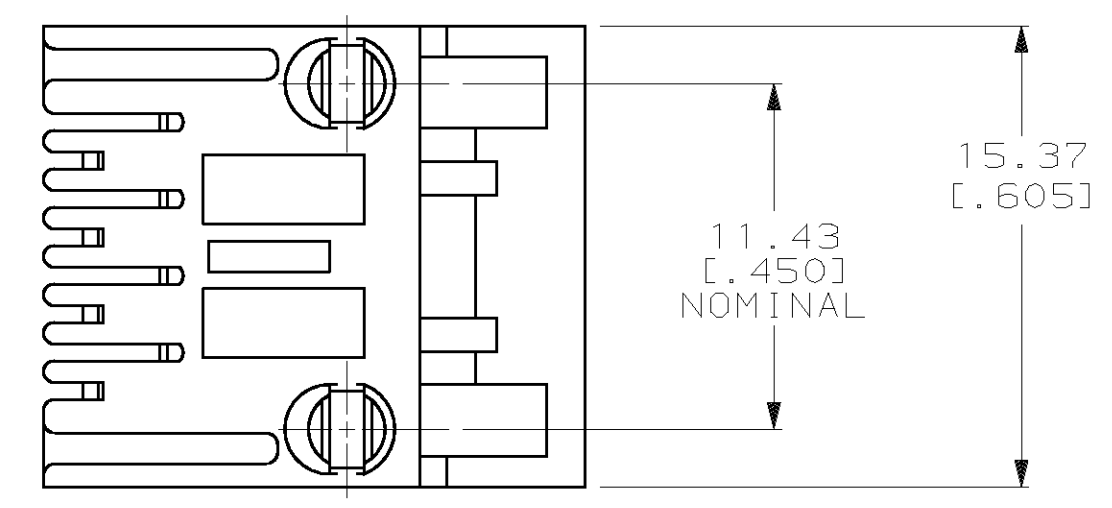
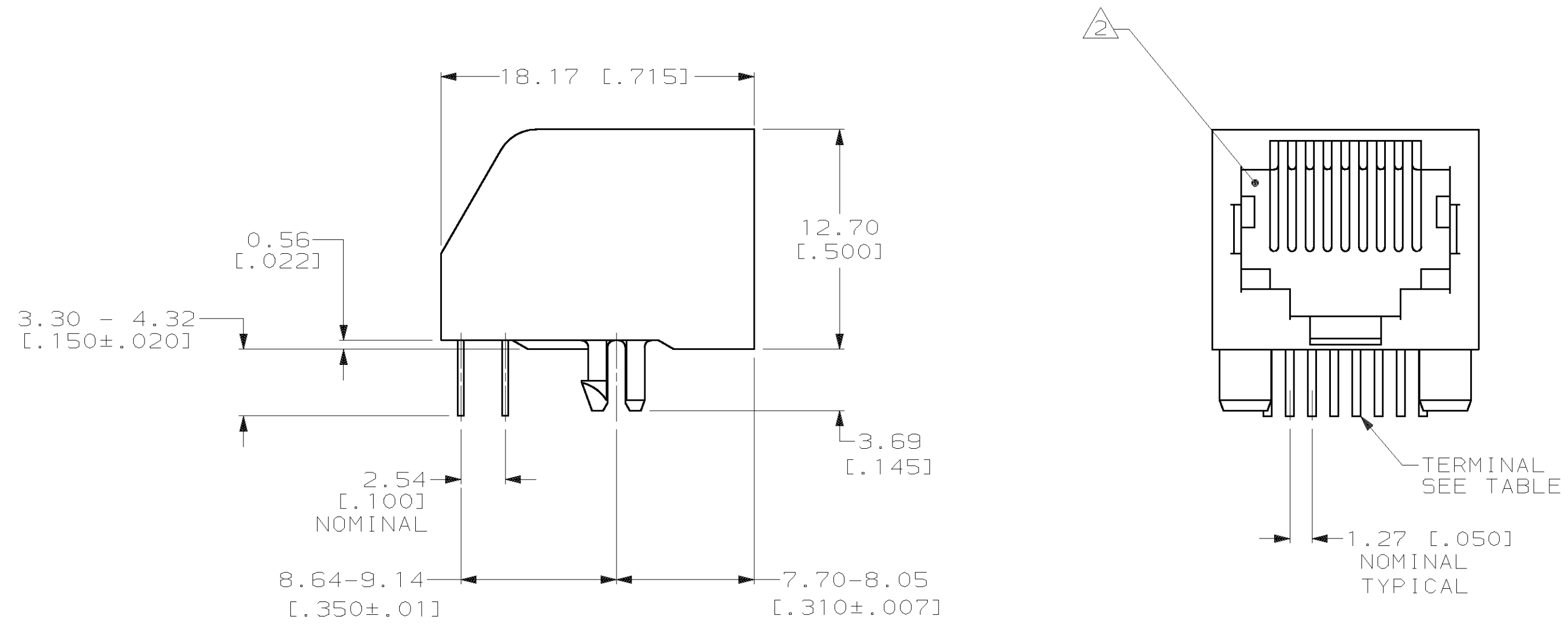


LOC	DIST	P	F	ZONE	LTR	DESCRIPTION	DATE	APPD
AA	22					H SUPERSEDED: -3; EC 0UF0-0013-01	14SEP01	DD LV

- ① MATERIAL:  
 HOUSING - PBT POLYESTER, SEE TABLE.  
 TERMINAL - 0.36 [.014] THICK PHOS  
 BRONZE PLATED WITH 1.27µm [.000050]  
 MINIMUM THICK HARD GOLD IN LOCALIZED  
 GOLD PLATE AREA AND 2.03µm [.000080]  
 MINIMUM THICK TIN LEAD IN SOLDER AREA  
 OVER 1.27µm [.000050] THICK NICKEL  
 UNDERPLATE.
- ② CAVITY CONFORMS TO FCC RULES AND  
 REGULATIONS PART 68, SUBPART F.
- ③ DIMENSIONS ARE MAXIMUM UNLESS  
 OTHERWISE SPECIFIED.
- ④ BULK PACKAGED IN A TRAY.
- ⑤ 37 ASSEMBLIES PACKAGED PER TUBE, SEE  
 DETAIL B.



PACKAGED	HOUSING COLOR	TERMINALS REQUIRED	PART NUMBER
⑤	BLACK	8	555164-4
④	GRAY	8	555164-3
④	BLACK	8	555164-1

DO NOT SCALE PRINT. UNLESS SPECIFIED DIMENSIONS IN mm [INCHES] TOLERANCES ON:		DR 11-9-95 D. STRAUSSER		<b>AMP</b> AMP Incorporated Harrisburg, PA 17105-3608
2 PLC DEC ± ③		CHK 11-14-95 N. JONES		
3 PLC DEC ±		APPD 11-20-95 J. TONEY		
ANGLES ±		APPD 11-20-95 H. McGRATH		
MATERIAL	①	PRODUCT SPEC	108-1163	NAME MODULAR JACK ASSEMBLY, 8 POSITION, LOW PROFILE, RIGHT ANGLE, WITHOUT PANEL STOPS
FINISH	①	APPLICATION SPEC	114-2048	SIZE D 00779 ©=555164
WEIGHT	-	SCALE	4:1	SHEET 1 OF 1

THIS DRAWING IS A CONTROLLED DOCUMENT FOR AMP INCORPORATED. IT IS SUBJECT TO CHANGE AND THE CONTROLLING ENGINEERING ORGANIZATION SHOULD BE CONTACTED FOR THE LATEST REVISION.